

**PHILIPS**

**EasyKey**

**5100**

Rim  
Smart Door Lock

# User manual

Register products and get  
support on the following site

[www.philips.com/support](http://www.philips.com/support)



# Contents

---

## **1 Important information 02**

Security  
Caution  
Disposal of used products and batteries

---

## **2 Install your EasyKey 03**

Packaging list  
Exploded views  
Pre-installation instructions  
Installation steps

---

## **3 Get to know your EasyKey 07**

Outside escutcheon  
Inside escutcheon

---

## **4 How to set up your EasyKey 08**

Pre-setup instructions  
-Modify Master PIN code  
-User settings  
-Delete a user  
-System settings  
-Extended functions  
-Local query

---

## **5 How to use your EasyKey 14**

Unlock

### **Outside Unlocking**

-With a PIN code  
-With a fingerprint  
-With a card

### **Inside Unlocking**

-With mechanical key

### **Lock**

### **Auto/Manual modes**

-Outside locking  
-Inside locking

---

## **6 Other functions 16**

Restore to factory settings  
One-button mute function  
Outside forced lock function

---

## **7 Meanings & Use of indicators 18**

Door status indicator  
Low battery indicator  
Outside forced lock indicator  
Mute mode indicator

---

## **8 Troubleshooting 20**

Alarm types and alarm modes  
How to apply an emergency power  
How to replace batteries

# 1 Important information

## Security

- ◆ Before using Philips EasyKey, please read and understand all instructions. Damage caused by non-compliance with the instructions will not be covered by warranty.
- ◆ Use only the manufacturer-specified accessories/components.
- ◆ Use only the alkaline batteries the product is equipped with, or use the same specification type of alkaline batteries.
- ◆ Do not forcibly disassemble this product to avoid triggering an alarm or damaging the product.
- ◆ Do not scrape the fingerprint sensor with sharp objects, otherwise it may cause permanent damage.
- ◆ Do not expose products to environments where there is water leakage or splashing.
- ◆ Do not expose the product to corrosive substances to prevent damaging the protective cover.
- ◆ Please clean the product with a soft cloth.
- ◆ Do not remove the battery during setting up and operating.
- ◆ Please let a professional technician to install the door lock and follow the installation guidelines provided. Do not disassemble the lock by yourself. Keep the relevant sealed stickers properly. Do not easily disclose the password information.
- ◆ Please modify the default master PIN code immediately after finishing installing and debugging, and keep the mechanical key properly.
- ◆ Please replace all the batteries immediately if there is a low battery alarm. Please make sure to correctly match the poles (+/-) when installing the batteries.

## Caution

- ◆ Do not place the battery near fire sources to avoid explosion.
- ◆ Do not use any emergency power supply that does not meet the safety requirements to power up the product.
- ◆ Do not connect the 2 poles of the batteries with metals to avoid short circuit which may lead to an explosion.
- ◆ Please make sure any component replacement is executed by Philips, Philips authorized service center or professional technicians.
- ◆ Do not use accessories or parts that have been produced by other manufacturers or have not been specifically recommended by Philips. The use of such accessories and parts may void your warranty.

## Disposal of used products and batteries

- ◆ You can have your locks reclaimed at Philips authorized service centers. You will receive corresponding compensation if your products meet our conditions.
- ◆ Please familiarize yourself with the local electronic product collection system.
- ◆ Please follow local regulations and do not discard used products into ordinary household waste.
- ◆ Proper disposal of used products can help to avoid potential negative impacts on the environment and human health.
- ◆ Batteries must not be disposed of with ordinary household waste.
- ◆ Please familiarize yourself with the local regulations on batteries classification recycling. Disposing of batteries properly can help avoid a negative impact on the environment and human health.

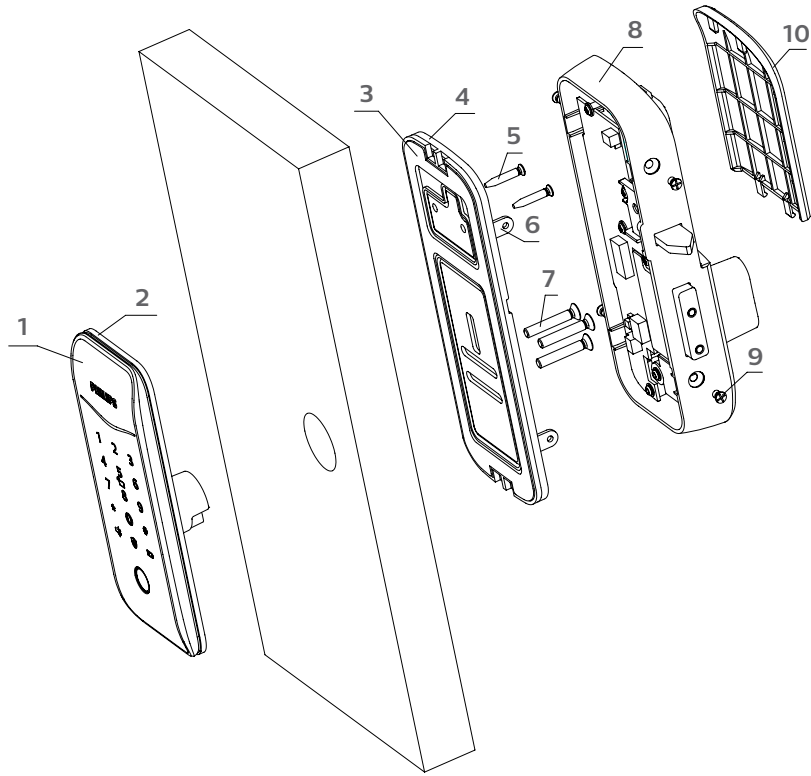
# 2 Install your EasyKey

## Packaging list

This packaging list is for reference only. Please refer to the actual packaging contents.

			
① Outside escutcheon (including silicone pad)	② Inside escutcheon (including silicone pad)	③ Striker	④ Striker cover
			
⑤ Mechanical key x2	⑥ Cleaning Pad	⑦ Mounting plate	⑧ User manual
			
⑨ QSG	⑩ Warranty card	⑪ Certificate of Conformity	⑫ Smart key card x2
			
⑬ Installation kit	⑭ Batteries		

## Exploded views

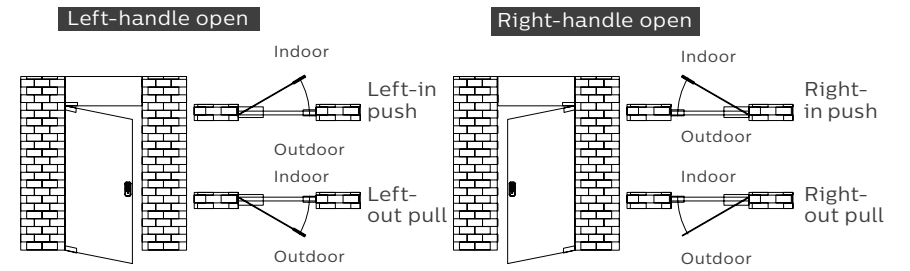


- |   |                            |                                 |
|---|----------------------------|---------------------------------|
| 1. Outside escutcheon (x1)              | 5. M4 tapping screw (x2)   | 9. M4X6 chamfer head screw (x4) |
| 2. Outside escutcheon silicone pad (x1) | 6. Mounting plate (x1)     | 10. Battery cover (x1)          |
| 3. Inside escutcheon silicone pad (x1)  | 7. M5 flat-head screw (x3) |                                 |
| 4. Inner plastic pad (x1)               | 8. Inside escutcheon (x1)  |                                 |

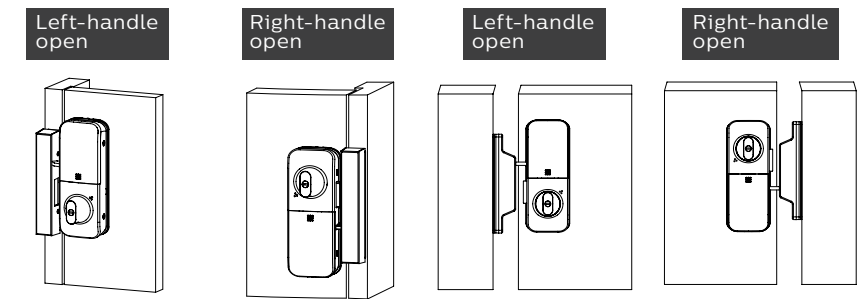
## Pre-installation instruction

### Step 1 | Check the door opening direction

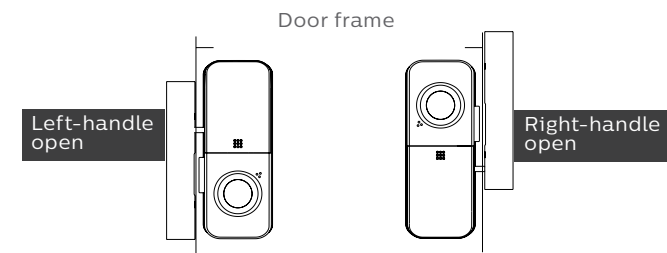
This product can be installed on doors of 4 opening directions: left-out pull, right-in push, right-out pull and left-in push.



### Step 2 Effects of various door opening directions

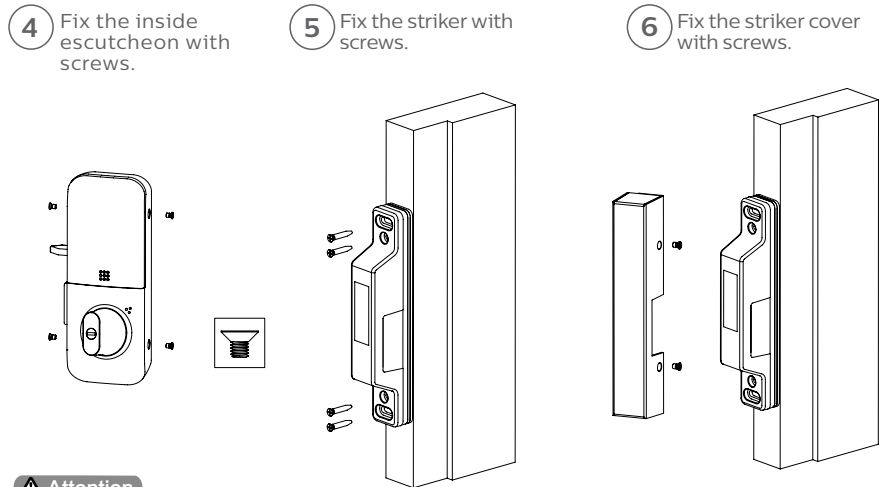
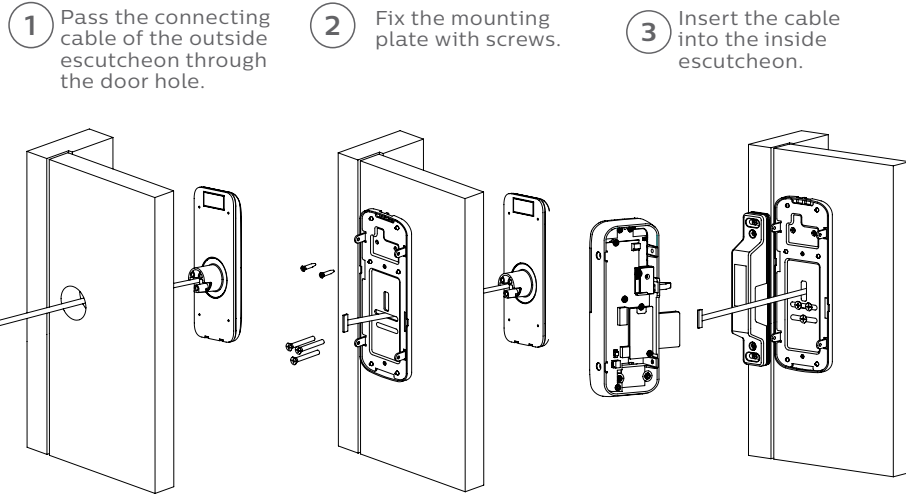


### Step 3 | Select the correct drilling template according to the door opening direction



## Installation steps

The following installation steps apply to right -handle opening. If your door is left-handle opening, please turn the inside escutcheon upside down.

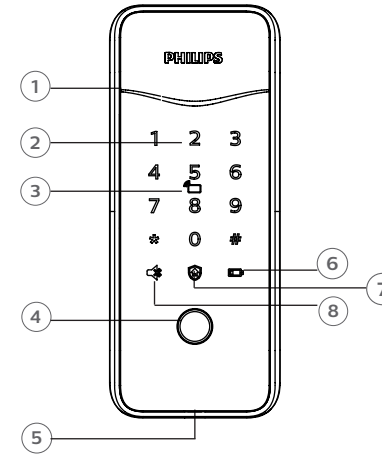


### ⚠ Attention

Please make sure to hide the extra cable in the door hole.

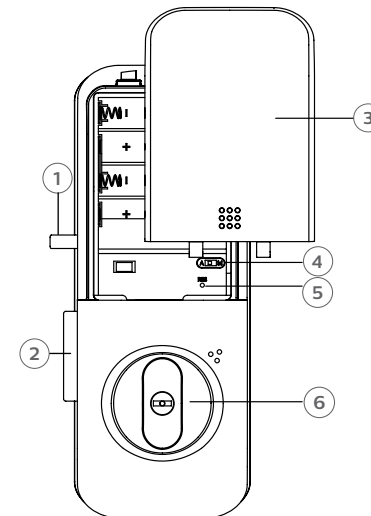
## 3 Get to know your EasyKey

### Outside escutcheon



1	Door status indicator
2	Keypad
3	Card reader area
4	Fingerprint sensor
5	Emergency power interface
6	Low battery indicator
7	Outside forced lock button
8	Mute button

### Inside escutcheon



1	Sensor latch bolt
2	Main dead bolt
3	Battery cover
4	Auto/Manual mode switch
5	RES button
6	Mechanical key hole

## 4. How to set up your EasyKey

### Pre-setup Instructions:

◆ There are 2 operating modes in the EasyKey: General mode and dual verification mode.

General mode	Dual verification mode
Unlock with any registered identity information	Unlock with any two of PIN code, card and fingerprint

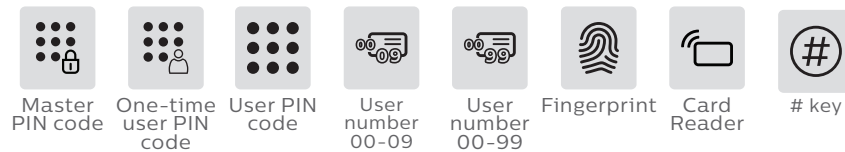
#### ◆ User Number

You can delete a single user information by its user number without having to delete everything.

◆ You can record the user information in the following table for future query.

Number	Name	Fingerprint	PIN Code	Card
00				
01				
02				
03				
04				
05				
06				
07				
08				
09				

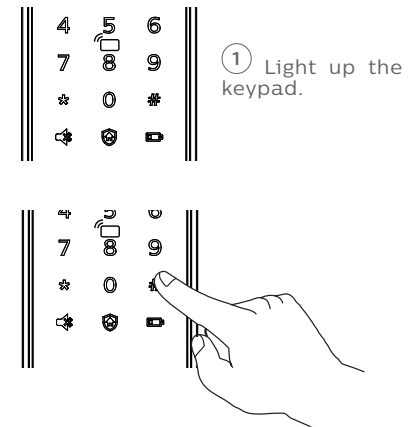
#### ◆ Icon annotation



#### ⚠ Attention

1. Before entering the master mode, please make sure the door is unlocked.
2. Press [\*] to return to the previous menu.

#### ◆ How to enter master mode:



② Press [#] before inputting any other numbers. Enter your master PIN code and confirm with [#]. Then you are in master mode.

#### Modify master PIN code



Press [#], enter master PIN code and confirm with [#].

1

Press [1] to modify master PIN code.



Enter the new master PIN code and confirm with [#]. Re-enter the new master PIN code and confirm with [#]. After hearing a voice prompt of "Succeeded", press [\*] several times until you exit master mode.

## User settings

### Register a user PIN code



Press [#], enter master PIN code and confirm with [#].

2 1

Press [2] to enter user registration, then press [1] to register a new user PIN code, which will be automatically numbered and broadcasted by the system.



Enter a user PIN code of 6 to 12 digits and confirm with [#]. Then re-enter it and confirm with [#]. After hearing a voice prompt of "Succeeded", press [\*] several times until you exit master mode.

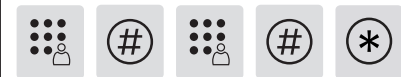
### Register a one-time user PIN code



Press [#], enter master PIN code and confirm with [#].

2 2

Press [2] to enter user settings, then press [2] again to enter one-time PIN code registration.



Enter a one-time user PIN code of 6 to 12 digits and confirm with [#]. Re-enter and press [#] to confirm. After hearing a voice prompt of "Succeeded", press [\*] several times until you exit master mode.

### Register a fingerprint



Press [#], enter master PIN code and confirm with [#].



Press [2] to enter user settings, then press [3] to enter fingerprint registration. The system will automatically number the fingerprint and broadcast the number.



Place your finger against the sensor. After hearing a voice prompt of "Take away your finger and enroll again", please take away your finger and re-place it against the sensor. After hearing a voice prompt of "Succeeded", press [\*] several times until you exit master mode.

### Register a card



Press [#], enter master PIN code and confirm with [#].



Press [2] to enter user adding, then press [4] to enter card registration. The system will automatically number the card and broadcast the number.



Hold the card close to the card reader until you hear a beep. After hearing a voice prompt of "Succeeded", press [\*] several times until you exit master mode.

## User Information Deletion

### Delete a user PIN code



Press [#], enter master PIN code and confirm with [#].



Press [3] to enter user deletion, then press [1] to enter user PIN code deletion. Press [1] again to delete a single user PIN code.



Enter the 2-digit [user number] (00-09) of the user PIN code that is to be deleted and press [#] to confirm. After hearing a voice prompt of "Succeeded", press [\*] several times until you exit master mode.

### Delete all user PIN codes



Press [#], enter master PIN code and confirm with [#].



Press [3] to enter user deletion, then press [1] to enter user PIN code deletion. Press [2] to delete all user PIN codes. After hearing a voice prompt of "Succeeded", press [\*] several times until you exit master mode.

### Delete a one-time user PIN code



Press [#], enter master PIN code and confirm with [#].



Press [3] to enter user deletion, then press [2] to enter one-time user PIN code deletion.



After hearing a voice prompt of "Succeeded", press [\*] several times until you exit master mode.

### Delete a fingerprint



Press [#], enter master PIN code and confirm with [#].



Press [3] to enter user deletion, then press [3] again to enter fingerprint deletion. Press [1] to enter single fingerprint deletion.



Enter the 2-digit [user number] (00-99) of the fingerprint that is to be deleted and confirm with [#]. After hearing a voice prompt of "Succeeded", press [\*] several times until you exit master mode.

### Delete all fingerprints



Press [#], enter master PIN code and confirm with [#].



Press [3] to enter user deletion, then press [3] again to enter fingerprint deletion. Press [2] to delete all fingerprints. After hearing a voice prompt of "Succeeded", press [\*] several times until you exit master mode.

### Delete a card



Press [#], enter master PIN code and confirm with [#].



Press [3] to enter user deletion, then press [4] to enter card deletion. Press [1] to delete a single card and then press [\*] several times until you exit master mode.

### Delete all cards

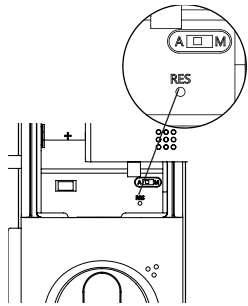


Press [#], enter master PIN code and confirm with [#].



Press [3] to enter user deletion, then press [4] to enter card deletion. Press [2] to delete all cards. After hearing a voice prompt of "Succeeded", press [\*] several times until you exit master mode.

## System date initialization



Remove the battery cover and double press the [RES] button with a sharp object, until you hear a voice prompt of "Restored to factory settings". All user information will be emptied.

## System Settings

### Language Settings



Press [#], enter master PIN code and confirm with [#].



Press [4] to enter system settings, then press [1] to enter language settings.



Adjust the language as needed: For Chinese, press [1]; for English, press [2]. After hearing a voice prompt of "Succeeded", press [\*] several times until you exit master mode.

#### **Attention**

The default language is English.

### Volume settings



Press [#], enter master PIN code and confirm with [#].



Press [4] to enter system settings, then press [2] to enter volume settings.



Adjust the volume as needed: For higher volume, press [1]; for lower volume, press [2]; for mute mode, press [3]. After hearing a voice prompt of "Succeeded", press [\*] several times until you exit master mode.

#### **Attention**

The default volume is "higher volume".

### Switch to dual verification mode



Press [#], enter master PIN code and confirm with [#].



Press [4] to enter system settings, then press [3] to choose verification method.



For single verification, press [1]; for dual verification, press [2]. After hearing a voice prompt of "Succeeded", press [\*] several times until you exit master mode.

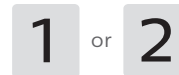
## Extended Functions



Press [#], enter master PIN code and confirm with [#].



Press [5] to enter extended functions.



To join a network, press [1]. To exit a network, press [2]. Before setting up the extended functions, please download and open the Philips EasyKey APP via your mobile phone.

#### **Attention**

The extended functions are optional.

## Local Query



Press [#], enter master PIN code and confirm with [#].



Press [6] to enter system query, then press [2] to get the software version automatically broadcasted.

#### **Attention**

Directly enter 114# to start local query.

## System Query

### Security code query



Press [#], enter master PIN code and confirm with [#].



Press [6] to enter system query, then press [1] to get the serial number (security code) automatically broadcasted.

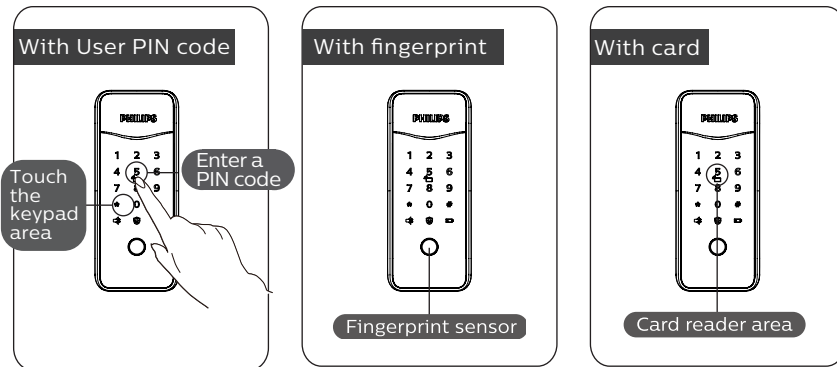
#### **Attention**

Directly enter 400# to start system query.



## 5 How to use your EasyKey

### Unlock | Outside Unlocking

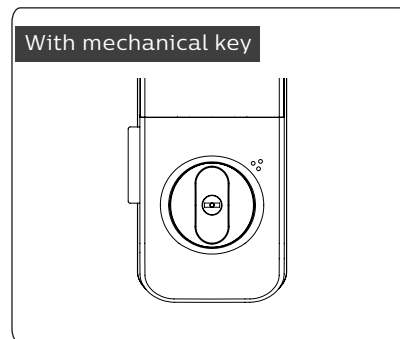


1.Touch and wake up the key pad.  
2.Enter an registered PIN code and confirm with [#].

Directly place the finger of which the fingerprint has been registered on the sensor.

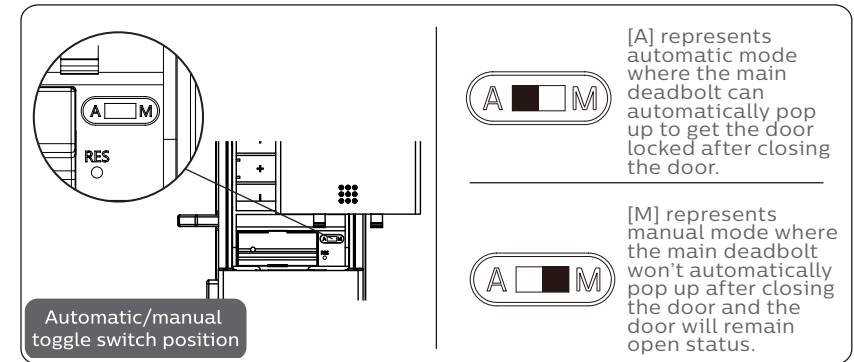
Place the card that has been successfully registered in the card reader area properly.

### Unlock | Inside Unlocking



Use mechanical key to unlock.

## Lock | Auto/Manual modes



### Lock from outside

**A** When the lock is in auto mode, the deadbolt won't automatically pop up after closing the door, and there will be a voice prompt of "Door closed".

**M** When the lock is in manual mode, the deadbolt won't automatically pop up after closing the door. Only after a successful verification by fingerprint, PIN code or card can the deadbolt pop up and the door be closed. After the door is successfully locked, there will be a voice prompt of "Door closed".

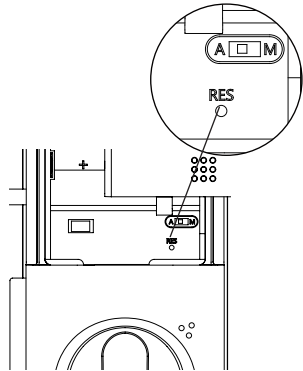
### Lock from inside

**A** Under auto mode, the deadbolt will automatically pop up after closing the door. There will be a voice prompt of "Door closed".

**M** Under manual mode, the deadbolt will not pop up automatically after closing the door. You need to use the key to lock the door. After the door is successfully locked, there will be a voice prompt of "Door closed".

## 6 Other functions

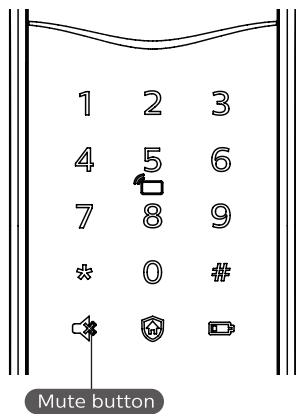
### Default Settings: One button to restore to factory settings



**Function:**  
To empty all user information and restore to factory settings

**Use:**  
Long press the [RES] button for 5 seconds, then all the information in the lock system will be emptied and the lock will be restored to factory settings.

### One-button mute function

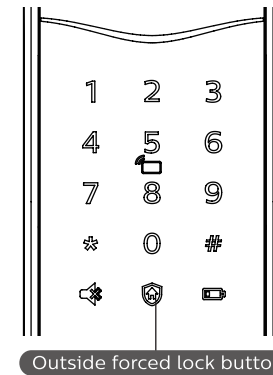


**Function:**  
Use only one button to mute the lock by turning off the voice guide. Applicable to the scenes where you don't want to disturb your family.

**How to use:**

- Mute:** When the system is awake, long press the [Mute] button for 2 seconds to enter one-time mute mode. The button will glow green.
- Unmute:** When the system is awake, long press the [Mute] button for 2 seconds to restore the voice guide. The button will glow white.

### Outside forced lock function



**Function:**  
Unlocking from inside will trigger an alarm.

**Use:**  
After the door is successfully locked, long press the functional button for 2 seconds to enter the outside forced lock mode.

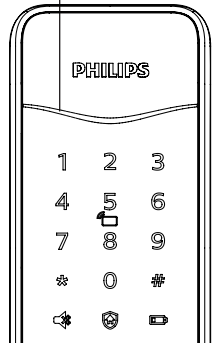
**Attention**

Enabling the outside forced lock function will not affect unlocking from outside.

## 7 Meanings & Use of indicators

### Lock status indicator

Lock status indicator



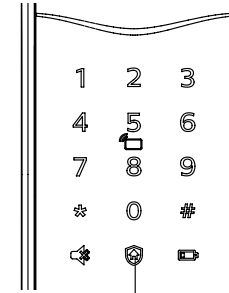
**Colors of the light and the corresponding meanings:**

**Blue:** After the system wakes up, the light will glow blue, indicating that you can operate the lock.

**Green:** After the door is unlocked, the light will glow green, indicating that the door has been opened.

**Red:** After the door is locked, the light will glow red, indicating that the door has been closed.

### Outside forced lock indicator



Outside forced lock indicator

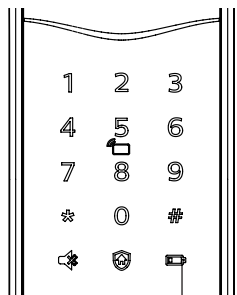
**Colors of the light and the corresponding meanings:**

**White:**

1. When the door is locked, the light will be lighted up, indicating that you can enable the outside forced lock function.

2. If you have enabled the outside forced lock function, the light will be lighted up after the system wakes up, indicating this function is under use.

### Low battery indicator

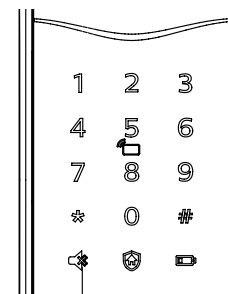


Low battery indicator

**Colors of the light and the corresponding meanings:**

**Red:** After waking up, the system will run an automatic examination on the battery voltage. If the voltage is too low, the light will flash in red and there will be a voice prompt of "Low battery. Please replace all batteries".

### Mute mode indicator



Mute mode indicator

**Colors of the light and the corresponding meanings:**

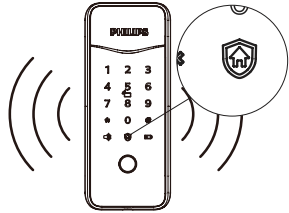
1. **White:** Indicates the mute mode is off.

2. **Green:** Indicates the mute mode is on.

## 8 Troubleshooting

### Types of alarms and alarm modes

#### Inside unlocking alarm under outside forced lock mode

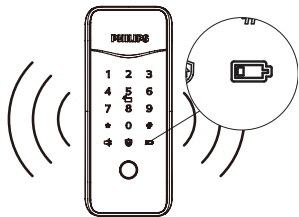


**Triggering:** If the lock is under outside forced lock mode, unlocking from inside will trigger the alarm.

**Alarm mode:** Continuous repeated alarms.

**Turning off:** The alarm can be turned off by a successful verification of any type.

#### Low battery alarm, remind you to replacing the batteries in time

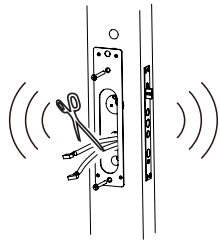


**Triggering:** After waking up, the system will run an automatic examination on the battery voltage. If the voltage is too low, the lock give an alarm and a voice prompt of “Low battery. Please replace all batteries”.

**Alarm mode:** A voice prompt of “Low battery. Please replace all batteries”.

**Turning off:**The alarm will be automatically turned off.

#### Anti-dismantling alarm

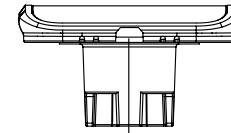


**Triggering:** The connecting cable of the outside and inside escutcheons are disconnected.

**Alarm mode:**Continuous repeated alarms.

**Turning off:** The alarm can be turned off by cutting off the power supply.

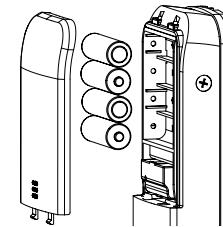
### How to apply an emergency power supply



Emergency power interface

When the battery voltage is insufficient, and the door cannot be opened from the outside, you can power up the lock through the Micro USB interface by using a 5V power bank as an emergency power supply. After opening the door lock, please replace the batteries immediately.

### How to replace batteries



The lock is powered by four 1.5V alkaline batteries. The battery cabinet is located at the upper part of the inside escutcheon. Push the battery cover upwards to remove the batteries.



Philips and the Philips Shield Emblem are registered trademarks of Koninklijke Philips N.V. and are used under license. This product has been manufactured by and is sold under the responsibility of Shenzhen Conex Intelligent Technology Co., Ltd., and Shenzhen Conex Intelligent Technology Co., Ltd. is the warrantor in relation to this product.

Version:1.0